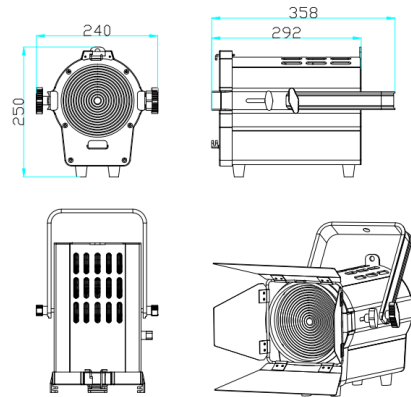


Led fresnel light: 150W led 3200K



Features

- Mini fresnel light
- LED lamp
- 3200K
- 18-30° manual zoom
- CRI >95, super high CRI
- IP20, indoor use



Technical Specifications

SPECIFICATION

Power consumption: 150W
 Input voltage: AC 90V-250V, 50-60Hz
 Working position: any safe working position
 Working position temperature: -10-40deg

Light source: 110W LED x 1piece
 Lifetime: 50,000hours
 CCT : 3200K /5600K optional
 High CRI > 95

CONTROL

Display: LCD display
 DMX channel : 2 CHs
 Manual zoom : 18 ° -30°
 Control mode: Master Slave synchronization, Stand-alone mode and DMX512 mode

CONSTRUCTION

DMX link: 3pin DMX XLR
 Power link: Powercon In / out
 Protection rate: IP20, for indoor use
 Housing: heat-proof plastic module + aluminum, black, silver

KEY FEATURES

Flicker-free
 0-100% smooth dimmer system
 New 16bit driver, 3 kinds of dimmer curve
 Manual zoom , smooth zoom
 3200K
 Aluminum case, ideal cooling system

PHYSICAL

Dimension: 358*240*250mm
 Net Weight: 5.4kgs
 Gross weight: 7.5kgs