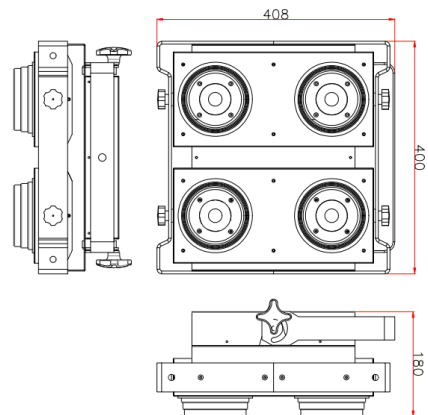


## High power blinder



## Features

- 100W white LED lamp\*4pcs
- CCT 3200K-3500k
- CRI >90
- Reflector angel 80deg
- Head pendulum can be adjusted  $\pm 20^\circ$



## Technical Specifications

### SPECIFICATION

Power consumption: 500W  
 Input voltage: AC 90V-250V, 50-60Hz  
 Working position: any safe working position  
 Working position temperature: -10-40deg

Light source: 100W LED x 4 pcs  
 Lifetime: 50,000hours  
 CCT : 3200K-3500K  
 High CRI > 90  
 Reflector angle: 80°

### CONTROL

Display: LED digital display  
 DMX channel : 4/8 CHs  
 Control mode: Master Slave synchronization, Stand-alone mode , sound mode and DMX512 mode

### CONSTRUCTION

DMX link: 3pin DMX XLR  
 Power link: Powercon In / out  
 Protection rate: IP20 and IP44 optional  
 Housing: hard metal , black/silver /white color, optional

### KEY FEATURES

Flicker-free  
 0-100% smooth dimmer system  
 New 16bit driver, 3 kinds of dimmer curve  
 Head pendulum to the left and right , can be adjusted  $\pm 20^\circ$   
 Every item can be split joint one by one  
 4 heads can be control one by one

### PHYSICAL

Dimension: 408\*180\*400mm  
 Net Weight: 12kgs  
 Gross weight: 14.5kgs