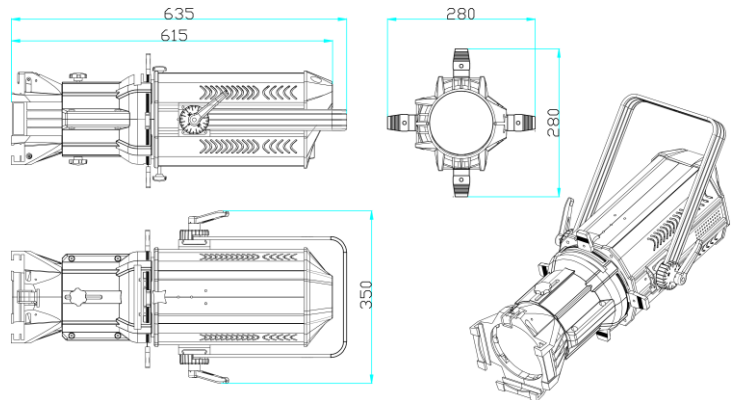


Led Profile RGBW: 200 W

## Features

- High power LED RGBW 4IN1 200W lamp
- 19/26/36deg lens optional
- Ultra brightness, Even color
- Silent operation, only 36.8db
- 4 shading slices make multiple different shapes
- Flicker free



## Technical Specifications

### SPECIFICATION

Power consumption: 200W  
 Input voltage: AC 110V-250V,50-60Hz  
 Working position: any safe working position  
 Working temperature: -10-40deg

Light source: High power RGBW 4IN1 180w  
 Lifetime: >100,000hours  
 Lens: 19/26/36°

Dimmer: 0-100 linear dimmer system  
 Profile: 4 shading slices make multiple different shapes  
 Flicker-free

### CONTROL

Display: LCD display  
 DMX channel: 4/9 CHS  
 Control mode: Master /Slave synchronization, Stand-alone mode and DMX512 control mode

### CONSTRUCTION

DMX link: 3pin DMX XLR  
 Power link: Powercon In/out  
 Protection rate: IP20, for indoor use  
 Housing: Casting aluminum housing, black/silver/white color, optional

### PHYSICAL

Dimension: 280\*635\*350mm  
 Net Weight: 9.1kgs  
 Gross weight: 11.5kgs