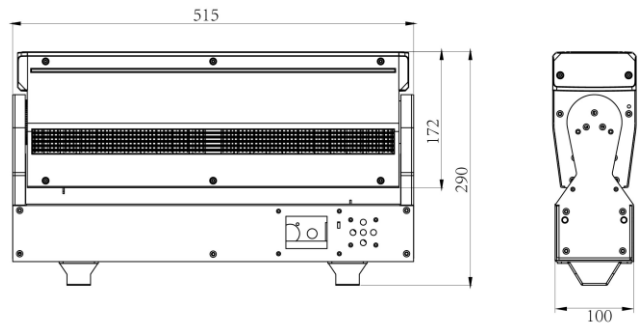


250 W LED Bar Moving Head

Features



- High power LED based moving head beam bar
- 4°-40° beam for each LED with sharp beam effect and pure even coverage
- Pixel mapping capability
- Two fixtures can be joined together seamlessly
- Flicker free operations.



Technical Specifications

SPECIFICATION

Source: 6*40W 4-in-1 RGBW LEDs
 Flicker free operation
 Life Span: 50000H
 250W Power consumption

OPTICS

6PCS high efficiency acrylic lens
 4°-40° zoom angle
 Pixel mapping capability with each LED
 Sharp beam effect

CONTROL

Display: LCD display
 18/32 DMX channels USITT DMX-512
 DMX512, master-slave, sound activated or auto operation
 DMX recorder and edit function integrated
 RDM available 3-Pin XLR DMX connectors IN/OUT

CONSTRUCTION

Moulded fireproof ABS PC
 Aluminum and steel metal plates
 IP20 protection rating

PHYSICAL

Product Dimensions:
 100(D)*515(W)*290(H)mm
 Packing Dimensions:
 200(D)*620(W)*390(H)mm
 N.W.: 8.4kg
 G.W.: 9.5kg