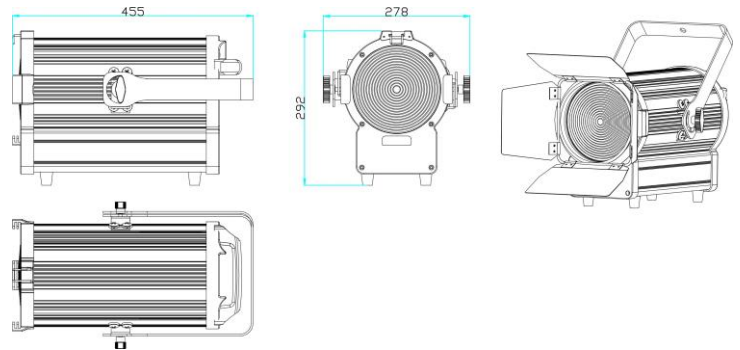


Led fresnel light: 200W led 3200K



Features

- white LED lamp
- 3200K
- 15-40° electronic zoom
- CRI >95, super high CRI
- IP20, indoor use



Technical Specifications

SPECIFICATION

Power consumption: 300W
 Input voltage: AC 90V-250V, 50-60Hz
 Working position: any safe working position
 Working position temperature: -10-40deg

Light source: 200W LED x 1piece
 Lifetime: 50,000hours
 CCT : High CRI > 95

CONTROL

Display: LCD display
 DMX channel : 3 CHs
 Electronic zoom : 15 ° -40°
 Control mode: Master Slave synchronization, Stand-alone mode and DMX512 mode

KEY FEATURES

Flicker-free
 0-100% smooth dimmer system
 New 16bit driver, 3 kinds of dimmer curve
 Manual and DMX zoom both smooth zoom
 3200K /5600K color temperatures optional
 Aluminum case, ideal cooling system

PHYSICAL

Dimension: 473*292*278mm
 Net Weight: 10kgs
 Gross weight: 12.5kgs

Power cable : included
 Barndoor: included
 Frame gel: included