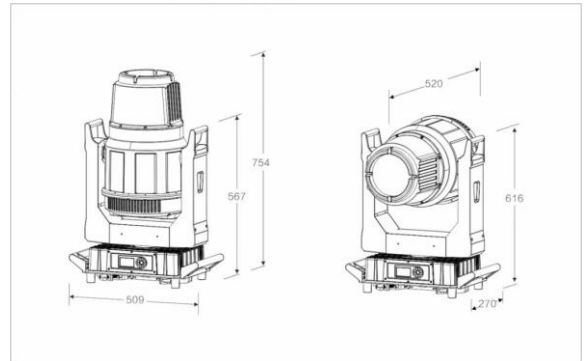


## IP66 BSW Moving Head



## Features

- Full metal housing with IP66 rating
- Power: 400W
- CMY Color Mixing System
- prism wheel ( 3 pcs prism ) + 1 prism, Multiple prism combination
- Aluminum body, rugged build



## Technical Specifications

Lamp power : 400W  
 Average lifespan : 1500h  
 Ballast : Electronic ballast  
 Dimmer : 0-100%

Color : 14 colors + white, Bi-direction rainbow effect  
 Color mixing system : CMY mixed color system  
 Lamp Colour temperature : 6900k  
 CCT Light Output : 3200-6500K  
 Static Gobo Wheel : 10 Gobo + 1 white + animation range  
 Bi-direction flow water animation effect  
 Rotation Gobo Wheel : 8rotating Gobos + white, Bi-direction flow water animation effect  
 Prism : prism wheel ( 3 pcs prism + 1 prism, ,Multiple prism combination )  
 Beam angle : Beam Projection 2-21°, Spot Projection 3-42°  
 Frost : 5° of atomization

Control Mode : DMX512  
 Channel mode : Standard 28CH  
 Motors : 18 ultra-quiet motors  
 Pan/Tilt : 540°/250°

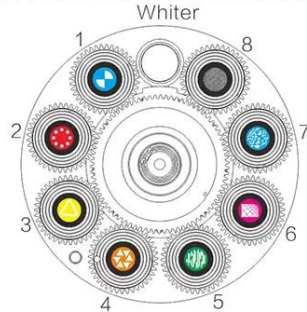
Other Features :

- 1 Remote lamp on and off.
- 2 Cooling fan speed adjust automatically .
- 3 Lamp power lower automatically when turning the light off
- 4 Remote reset DMX address

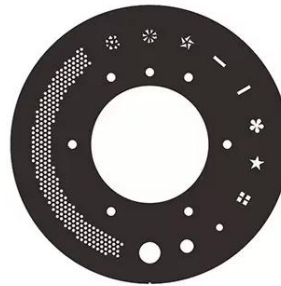
Outlook : Full metal housing  
 IP rate : IP66 protection  
 Light size : 509×320×754(mm)  
 Carton size : 810×580×395(mm)  
 N.W : 38.5Kg G.W : 42.5Kg

IP66 BSW Moving Head

ROTATION GOBO WHEEL

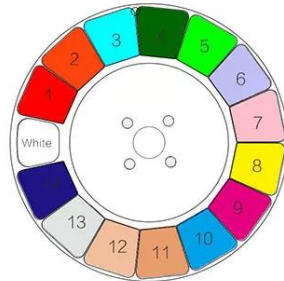


GOBO WHEEL

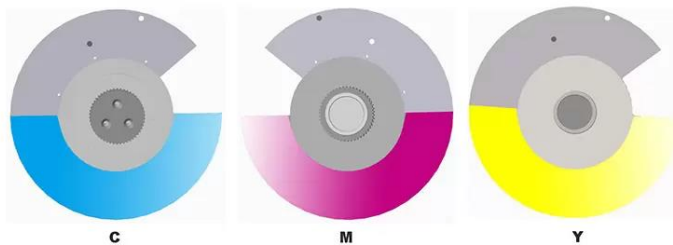


Note: GOBO size : outer diameter : 15.9mm ,  
inner diameter : 11mm

COLOR WHEEL



CMY



CMY color mixing system