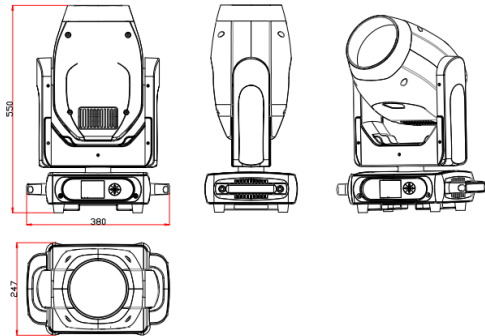


Led beam Moving Head



Features

- Powerful output
- 100% pure moving beam
- High Power 200W LED
- 2° beam angle
- 8-facet circular rotation prism
- IP20 , indoor use
- Nice design



Technical Specifications

SPECIFICATION

Power consumption: 300W
 Input voltage: AC 90V-240V,50-60Hz
 Working position: any safe working position
 Working position temperature: -10-40deg

Light source: High power LED 200W white lamp
 CCT: 8000K
 Lifetime : >60,000hours

FEATURES

Color wheels: 14 colors +Open
 Static gobo wheel: 13 fixed metal gobos + Open
 Prism: 8-facet circular rotating prism

Beam: 2° beam
 Dimmer: 0-100% linear dimming system
 Frost: linearly adjustable frost
 Focus: linearly adjustable focus

MOTORIZED

Pan/Tilt

Pan movement range: 540°
 Tilt movement range: 270°
 8bit/16bit movement solution, optional
 Automatic Pan/Tilt position correction

CONTROL

Display: LCD display
 DMX Channel: 10/16 CHs
 Control mode: Master /Slave synchronization, Stand-alone mode and DMX512 control

CONSTRUCTION

Data in/out socket: 3pin+5pin DMX XLR
 Power connector: PowerCon In/out
 Protection rate: IP20, for indoor use
 Housing: heat-proof plastic module + hard metal ; black

PHYSICAL

Dimension: 380x247x550mm
 Net weight: 15kgs