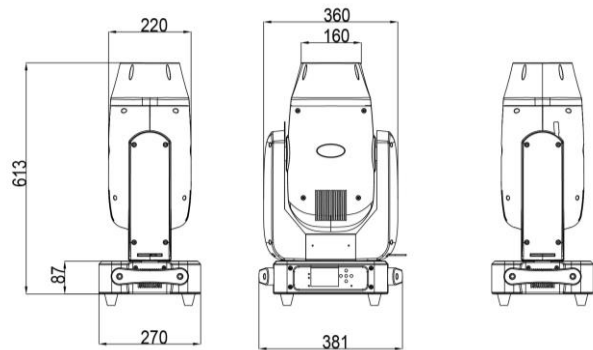


LED Moving Head BSW



Features

- New high intensity and efficiency cool white 400W LED engine (8500K) LED
- Full CMY Color Mixing.
- Flicker free .
- CTO Color correction



Technical Specifications

Light Source

Source: 400W White LED engine
 Color Temperature: 8500K
 CRI: ≥85
 Flicker free operation
 Life Span: 20000H

Optics

A set of high resolution and precise optics
 4°-35° Smooth and quiet linear motorized zoom

Movement

PAN movement: 540°(8/16 bit)
 TILT Movement: 270°(8/16 bit)
 Fast, quiet, smooth and precise 3-Phase motors

Color System

Full CMY color mixing system with linear CTO color correction
 1 Color wheel with 8 dichroic colors plus open (half color mode available)
 Variable direction rainbow effect with speed adjustable

Gobo System

1 Rotating gobo wheel with 7 rotatable and interchangeable glass gobos
 Gobo size 22.7mm (external)/14mm (inner)
 1 Static gobo wheel with 12 gobos plus open

Prism System

3-Facet prism with variable speed and direction
 8-Facet prism with variable speed and direction

Dimming System

0-100% Smooth linear LED dimming

Control System

22/26 DMX channels USITT DMX-512
 RDM available (Remote Device Management)
 3-Pin XLR DMX connectors IN/OUT

Wash System

Frost filter (Hybrid effect for wash)
 Even and soft coverage

Display System

2.8" TFT LCD display
 5 Control buttons

Power Supply

AC100-240V 50/60Hz
 PowerCON IN/ OUT with power switch and fuse
 430W Power consumption

Housing

High intensity moulded fire proof ABS PC

Operating Condition

Operating positions: -25°C to 45°C ambient temperature
 IP20 protection rating

Weight

N.W.: 22.5kg
 G.W.: 25.5kg

Color



Rotating gobo



Static gobo

EFFECT

