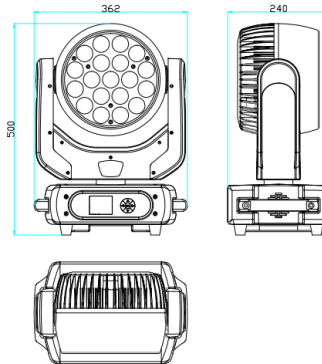


Wash Moving Head



Features

- Super high power moving wash
- TW high power RGBW 40W LED lamp* 19pcs
- 6-50° zoom angle
- 2700K-8000K 8-class color temperature adjustment
- 3 circles pixel control
- Small body, high output, beautiful price



Technical Specifications

SPECIFICATION:

Power consumption: 600W
 Input voltage: AC 90V-240V,50-60Hz
 Working position: any safe working position
 Working position temperature: -10-40 °

Light source: TW high power 4in1 RGBW 40WX19pcs
 Lifetime: >100,000hours
 CTO: 2700K-8000K, 8-class color temperatures adjustment

Electronic zoom range: 6 ° -50 °
 Motor: Two speedy 3-phase motors for Pan/Tilt
 Pan movement range: 540°
 Tilt movement range: 310°

CONTROL

Display: LCD display
 DMX Channel: 16/28 DMX
 Pixel Control: Dot matrix in 3 circles
 Control mode: Master /Slave synchronization, Stand-alone mode and DMX512 control

CONSTRUCTION

DMX link: 3pin DMX in and out
 Power link: Powercon In and out
 Protection rate: IP20, for indoor use
 Housing: heat-proof plastic module + hard metal, black

PHYSICAL

Dimension: 362X240X500mm
 Net Weight: 14.2kgs
 Gross Weight: 17.5kgs

Wash Moving Head
Effects

