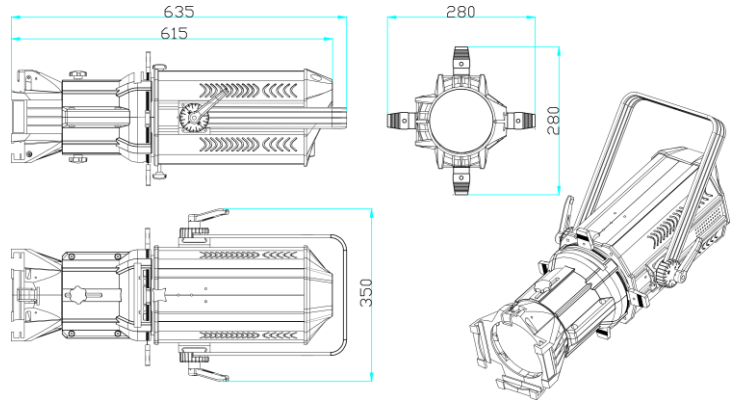


Led Profile: 200 W

Features

- 200W white LED lamp
- 3200K
- 19° lens
- High CRI > 96
- Silent
- Ultra bright
- Even color
- Flicker free



Technical Specifications

SPECIFICATION

Power consumption: 200W
 Input voltage: AC 110V-250V,50-60Hz
 Working position: any safe working position
 Working position temperature: -10-40deg

Light source: 200W LED white lamp
 CCT: 3200K
 Lifetime: >100,000hours
 High CRI > 97
 Lens: 19°
 Dimmer: 0-100 linear dimmer system
 Profile: 4 shading slices make multiple different shapes
 Flicker-free

CONTROL

Display: LCD display
 DMX channel: 2 CHs
 Control mode: Master /Slave synchronization, Stand-alone mode and DMX512 control mode

CONSTRUCTION

DMX link: 3pin DMX XLR
 Power link: Powercon In/out
 Protection rate: IP20, for indoor use
 Housing: Casting aluminum housing, black/silver/white color, optional

PHYSICAL

Dimension: 280*635*350mm
 Net Weight: 9.1kgs
 Gross weight: 11.5kgs