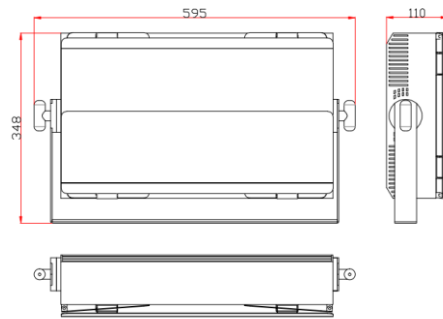


## LED studio light



## Features

- LED studio light
- 5600K
- Ultrathin design with aluminum alloy
- Perfect white LED panel



## Technical Specifications

### SPECIFICATION

Power consumption: 300W  
 Input voltage: AC 90V-250V, 50-60Hz  
 Working position: any safe working position  
 Working position temperature: -10-40deg

Light source: TW SMD5730 0.5W white,  
 LED bead x 600 pieces  
 Lifetime: 50,000hours  
 CCT : 5600K  
 High CRI > 95

### CONTROL

Display: LED digital display  
 DMX channel : 2 CHs  
 Control mode: Master Slave synchronization, Stand-alone mode and DMX512 mode

### CONSTRUCTION

DMX link: 3pin DMX XLR  
 Power link: Powercon In / out  
 Protection rate: IP20, for indoor use  
 Housing: aluminum alloy, black, silver

### KEY FEATURES

Flicker-free  
 0-100% smooth dimmer system  
 New 16bit driver, 3 kinds of dimmer curve  
 3200K /5600K color temperatures optional  
 2in1 dual color optional  
 Aluminum case, ideal cooling system

### PHYSICAL

Dimension:590\*345\*100 mm  
 Net Weight: 10.25 kgs  
 Gross weight: 12.5kgs